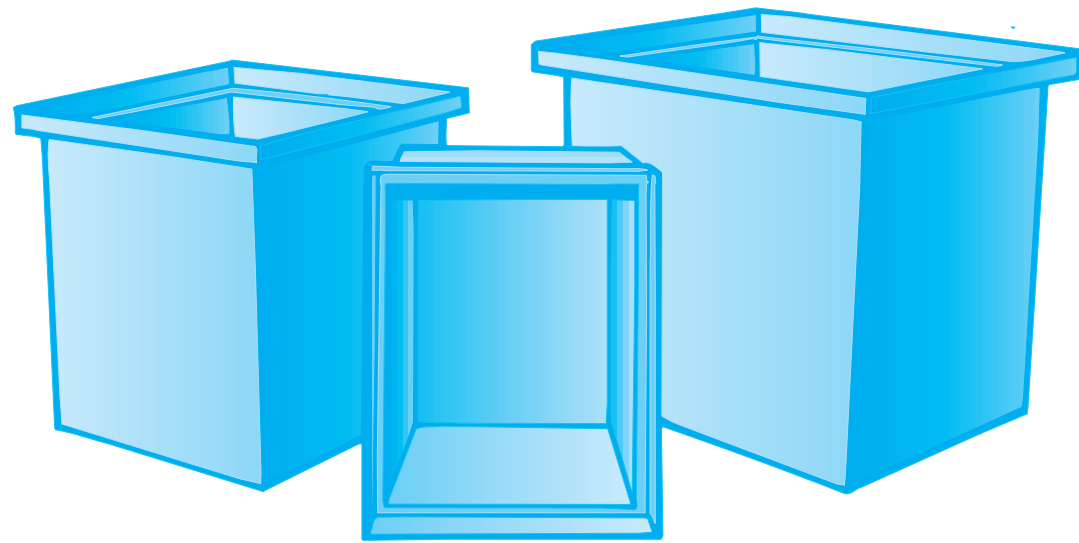


SQUARE AND RECTANGULAR TANKS

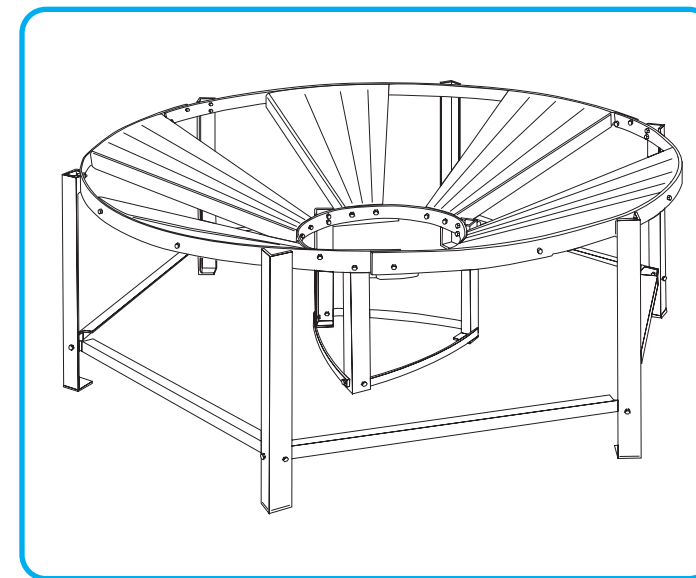
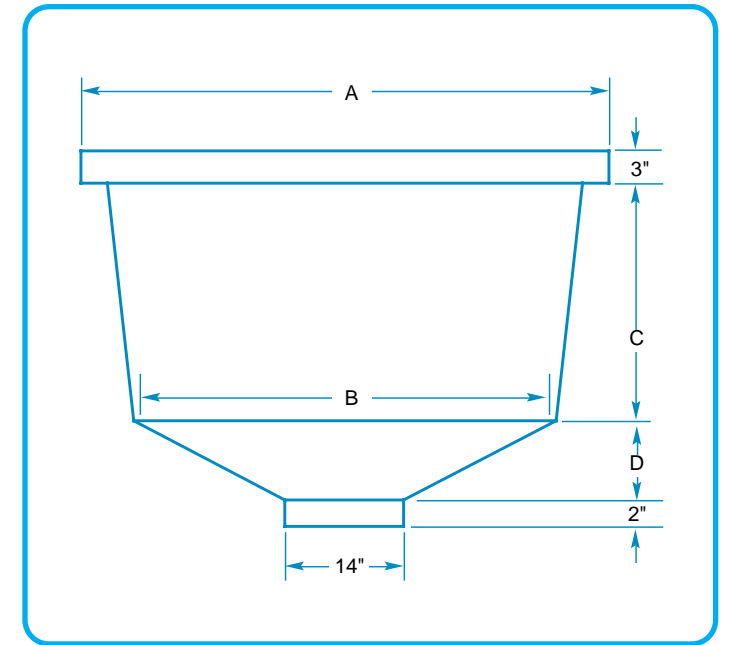
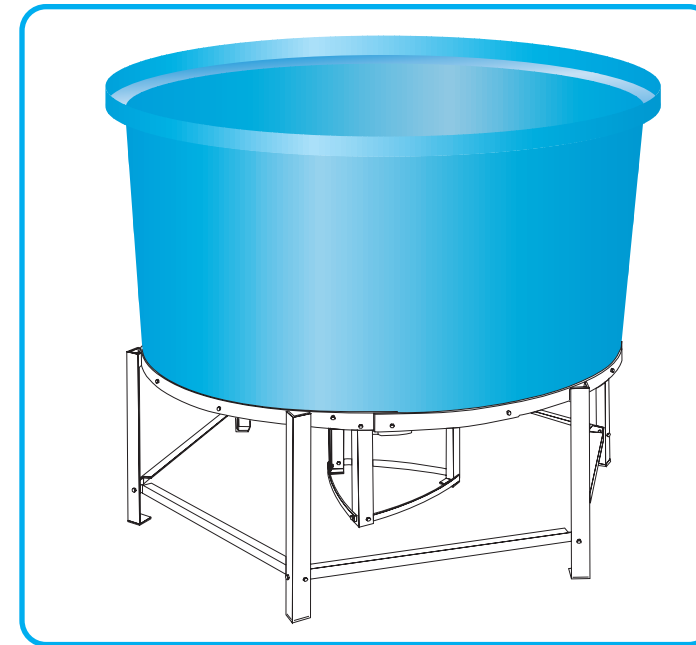


These tanks, with our variety of sizes, make optimum use of available space. **Polytank** square and rectangular tanks are one-piece and molded of the finest polyethylene available. They are heavy-duty.

Threaded couplers may be added anywhere on these tanks from 1/2" - 3".

Part No.	Gals.	Length	Width	Depth	Part No.	Gals.	Length	Width	Depth
PT-500	6	3.5"	18"	24"	PT-570	62	15"	30"	32"
PT-502	3	4"	14"	14"	PT-572	17	16"	16"	16"
PT-504	5	4"	18"	18"	PT-574	8	16"	20"	6"
PT-506	12	4.5"	24"	30"	PT-576	22	16"	20"	16"
PT-508	16	4.5"	30"	30"	PT-578	22	16"	36"	9"
PT-510	10	5"	22"	22"	PT-579	105	16"	40"	38"
PT-512	2	6"	10"	10"	PT-580	33	18"	18"	24"
PT-514	4	6"	16"	11"	PT-582	33	18"	24"	18"
PT-516	11	6"	18"	24"	PT-584	44	18"	24"	24"
PT-518	4	6"	30"	6"	PT-586	56	18"	24"	30"
PT-520	37	8"	30"	36"	PT-588	67	18"	24"	36"
PT-522	23	8"	26"	26"	PT-590	N/A			
PT-524	21	10"	18"	27"	PT-592	24	18"	26"	12"
PT-526	7	12"	12"	12"	PT-594	46	18"	30"	20"
PT-528	11	12"	12"	18"	PT-596	67	18"	36"	30"
PT-530	22	12"	12"	36"	PT-598	84	18"	36"	30"
PT-532	11	12"	18"	12"	PT-600	52	20"	20"	30"
PT-534	16	12"	18"	18"	PT-602	49	20"	24"	24"
PT-536	22	12"	18"	24"	PT-604	74	20"	24"	36"
PT-538	33	12"	18"	36"	PT-606	51	20"	26"	23"
PT-540	37	12"	24"	30"	PT-608	50	22"	22"	24"
PT-542	24	12"	26"	18"	PT-610	75	22"	22"	36"
PT-544	18	12"	30"	12"	PT-612	44	24"	24"	18"
PT-546	37	12"	30"	24"	PT-614	59	24"	24"	24"
PT-548	46	12"	30"	30"	PT-616	89	24"	24"	36"
PT-550	27	13"	23"	21"	PT-618	75	24"	30"	24"
PT-552	31	13"	23"	24"	PT-620	93	24"	30"	30"
PT-554	46	13"	23"	36"	PT-622	N/A			
PT-556	6	14"	14"	8"	PT-624	89	24"	36"	24"
PT-558	37	14"	26"	24"	PT-626	58	30"	30"	15"
PT-560	40	14"	26"	26"	PT-628	140	30"	30"	36"
PT-562	52	14"	28"	31"	PT-630	150	30"	36"	32"
PT-564	48	14"	33"	24"	PT-632	162	36"	40"	26"
PT-566	28	15"	18"	24"	PT-634	180	33"	49"	24"
PT-568	58	15"	30"	30"					

ROUND, CONICAL-BOTTOM, 'NESTABLE' TANKS



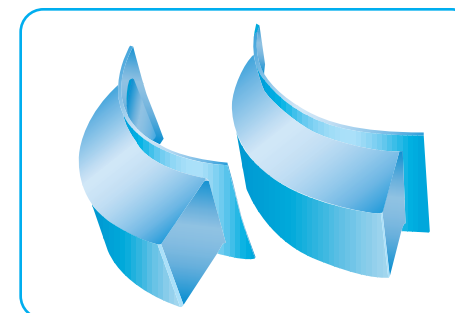
These tanks have all the benefits of our flat-bottom tanks with the advantage of a conical bottom. A 20° cone-bottom forces high solids to be removed from the bottom continuously. This allows for our tanks to be self-cleaning for months at a time.

The stands built by **Polytank** are made of heavy gauge steel and are sprayed with a baked-on Powder Coat Paint for a durable long-lasting finish. These stands are very durable and value-priced.

There is 12" of clearance below the bottom of the cone on all conical bottom tanks in our stands.

Part#	A	B	C	D	Gallons
CB-6028	60"	50"	28"	10"	250
CB-7530	75"	65"	30"	13"	450
CB-8530	85"	75"	30"	14"	650
CB-9636	96"	84"	36"	17"	950
CB-10260	102"	80"	60"	10"	1500

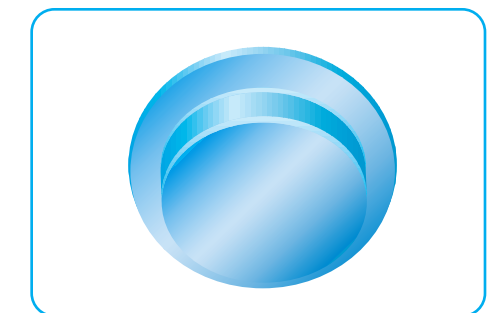
SUMP AND VENTRIA ATTACHMENTS



Side Ventria
Side Ventria will fit PT-302 - PT-308 and CB-6028 - CB-9660



Square Sump
The Square Sump can be bolted on the flat bottom tanks.



Round Sump
The Round Sump can be bolted on the flat bottom tanks.