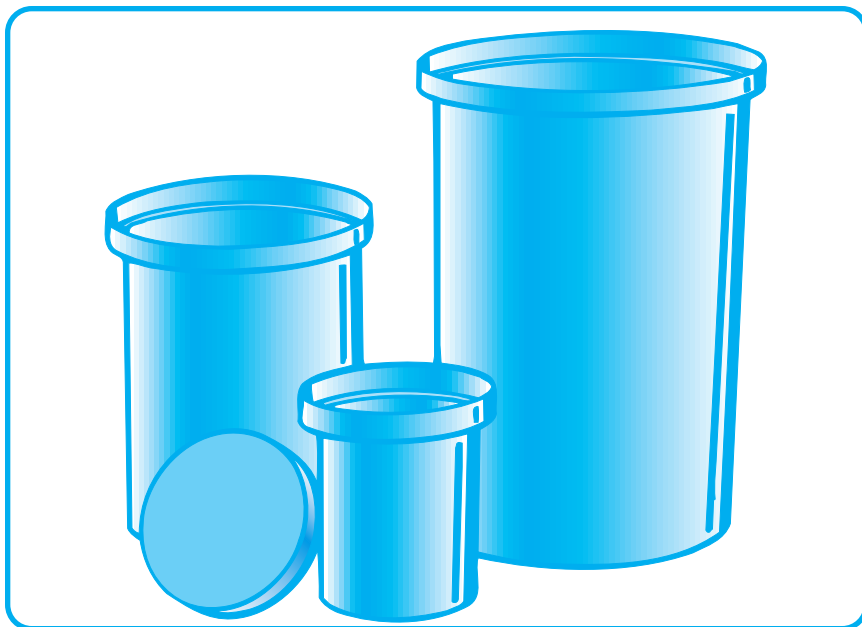


FLAT-BOTTOM, CYLINDRICAL TANKS



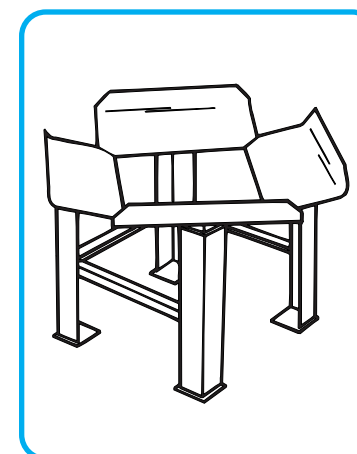
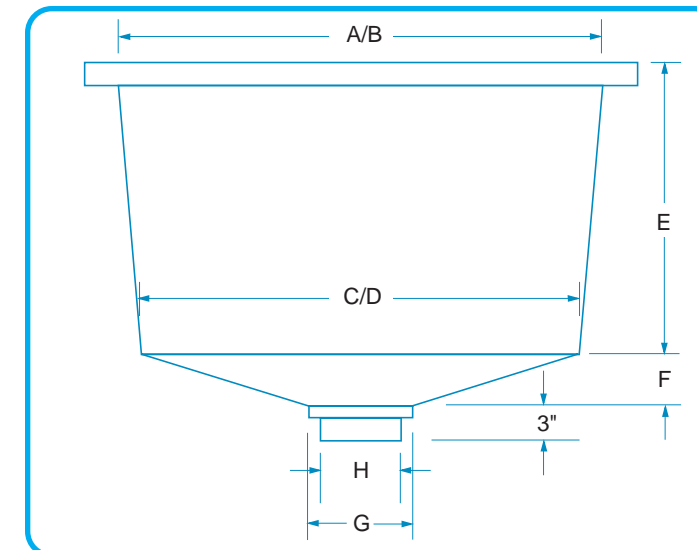
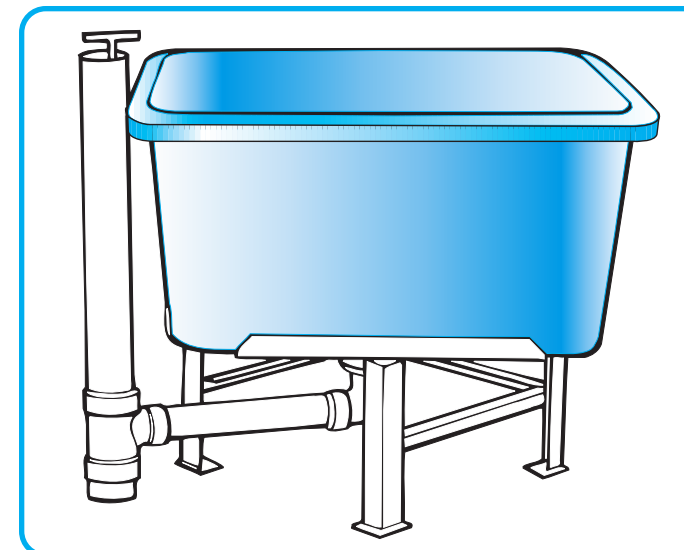
At **Polytank** we make tanks for many different uses and a variety of needs. All our **Polytank** containers are made of a heavy-duty, chemical-resistant, polyethylene plastic which has a very smooth and slippery surface. Our flat-bottom, cylindrical tanks are round with straight side walls. They are completely self-supporting. We have many sizes to choose from, to fit every project or particular need you may have.

Covers are available for the tanks PT-200 – PT-242

See table for tank dimensions, Part #200-244.

Part No.	Gals.	Depth	Dia.	Thickness	Part No.	Gals.	Depth	Dia.	Thickness
PT-200	3qt.	7"	6"	3/16"	PT-228	80	48"	24"	1/4"
PT-202	3	13"	9"	3/16"	PT-229	110	32"	32"	1/4"
PT-204	3	13"	10"	3/16"	PT-229A	130	32"	36"	1/4"
PT-206	4	12"	10"	3/16"	PT-230	140	44"	32"	1/4"
PT-210	6	20"	10"	3/16"	PT-232	150	48"	30"	1/4"
PT-212	8	15"	13"	3/16"	PT-233	165	48"	32"	1/4"
PT-214	10	19"	13"	3/16"	PT-234	230	48"	38"	1/4"
PT-216	15	21"	15"	3/16"	PT-236	275	48"	42"	1/4"
PT-218	25	24"	18"	3/16"	PT-238	300	46"	44"	5/16"
PT-220	30	32"	18"	3/16"	PT-240	450	52"	52"	5/16"
PT-222	34	36"	17"	3/16"	PT-242	500	62"	52"	3/8"
PT-224	52	30"	22"	3/16"	PT-244	750	60"	60"	3/8"
PT-226	55	34"	22"	3/16"					

SEMI-SQUARE TANKS



The semi-square tanks are a great value and provide the most volume of water in a designated area. They are neatly contoured for self-cleaning. Ideal for use in High Schools and Colleges for 'hands-on' experience in culturing.

Advantages:

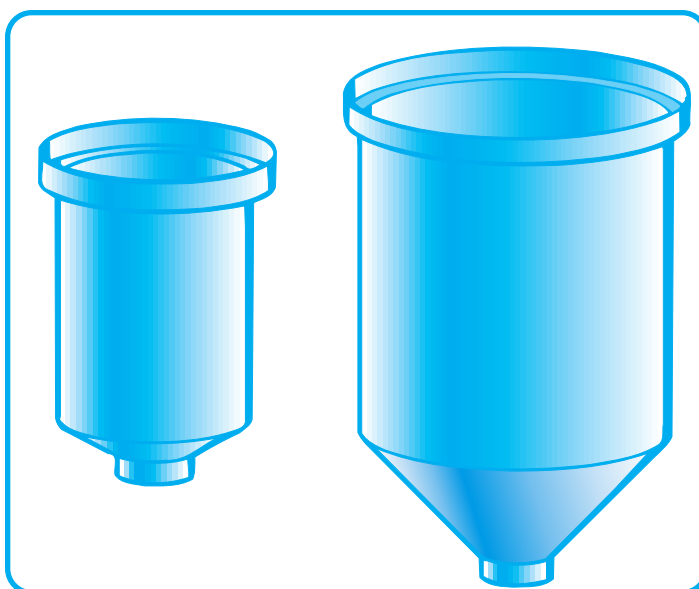
- Total tank drainage
- Very smooth surface
- Disinfects easily
- Quick and easy set-up
- Nestable for shipping

Ideal Uses:

- Laboratories
 - Testing uses
 - Aid in designing your own system
 - Water treatment – de-chlorination
- Colors available:** Black, Marine Blue, Gray

Part #	Length(A)	Width(B)	Bottom(C/D)	Sidewall Depth(E)	Cone Depth(F)	Cover Insert(G)	Drain Dia.(H)	Gal.
SST-2618	26"	26"	22"	18"	4"	9"	7"	50
SST-4222	42"	42"	38"	22"	4.5"	9"	7"	180
SST-6228	62"	62"	58"	28"	9"	13.5"	11.5"	450

CONE-BOTTOM, CYLINDRICAL TANKS



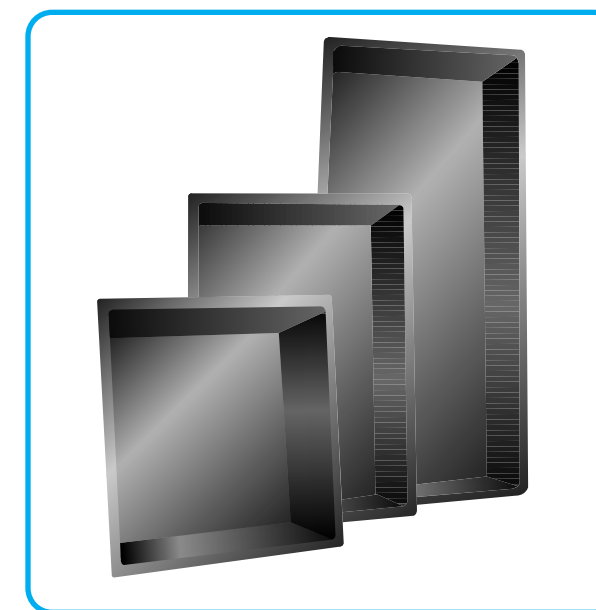
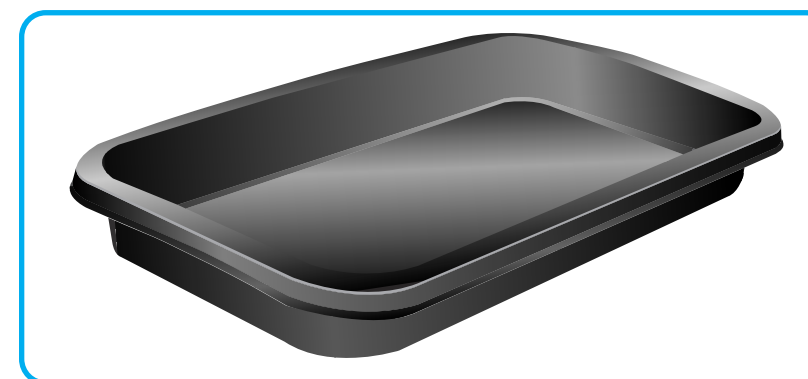
These tanks have the same features as the flat-bottom tanks with an added bonus – the bottom is cone-shaped for total drainage. These tanks must be supported with some type of stand.

See table for tank dimensions, Part #300 – 316.

(Part #312 & 314 have a 15° cone bottom. Part #300 – 308 & 316 have a 45° cone bottom.)

Part No.	Gals.	Depth	Dia.	Height	Thickness	Bottom Angle
PT-300	15	16"	15"	26"	3/16"	45°
PT-302	30	27"	18"	38"	3/16"	45°
PT-304	55	31"	22"	44"	3/16"	45°
PT-306	80	38"	24"	52"	1/4"	45°
PT-308	120	42"	28"	58"	1/4"	45°
PT-312	250	40"	42"	47"	5/16"	15°
PT-314	500	57"	52"	62"	3/8"	15°
PT-316	500	48"	48"	72"	3/8"	45°

TRAYS



Part No.	Width	Length	Depth	Gallons
PD-2028	3'	3'	7.5"	34
PD-2061	3'	4'	5.5"	34
PD-2029	3'	6'	3.5"	33
PD-2062	3'	6'	5.5"	52
PD-4902	56"x105" at top, 48"x96" at bottom, 3.5" lip around the top, 12" deep, 235 Gallons			